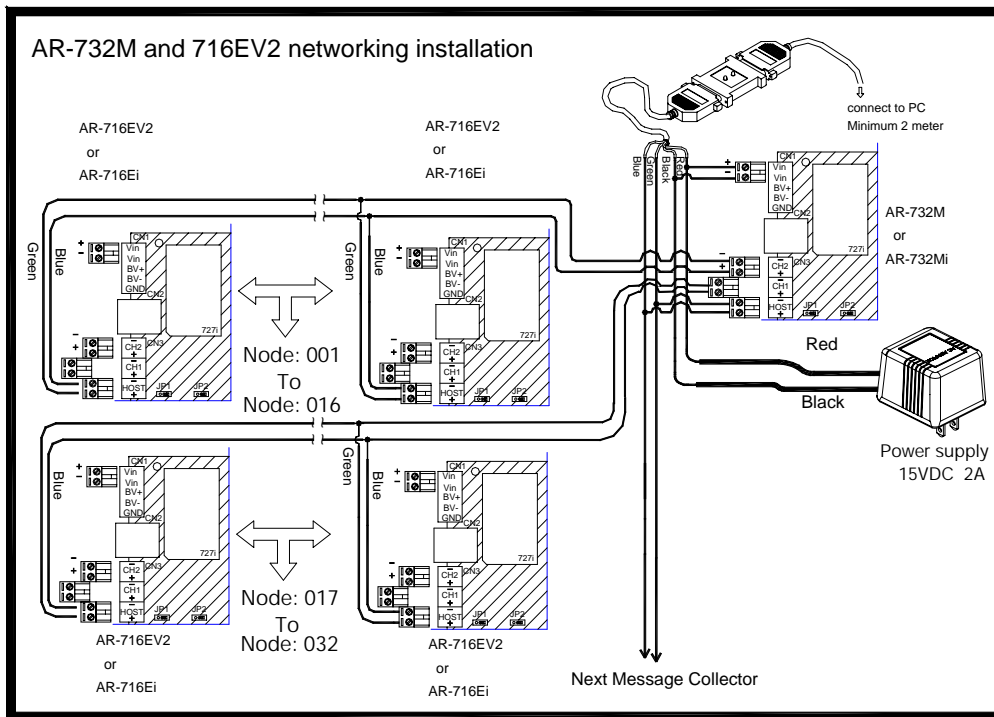


AR-732M Message Collector Manual

- Introduction
 1. 50,000 records buffer device
 2. The latest records will not replace the first records if 50,000 records buffer is full
 3. Quickly polling message
 4. Two RS-485 controller ports, each port supports 16 AR-716E controllers.
- Hardware installation



- Software setting

Users just need to set up once in the beginning, then there is no need to set it again, unless configuration changes. Please note to shut down 701Server before executing this programmer in order to spare a com port for connection.

Step1: Install “**Soyal Tools**”

Step2: Run “**Node 737**”

Then windows will show as follows:

Read from Node Change ID to (AR737H)

For AR737H and AR737H1355 Only

Anti-pass back Yes No

In/Out Door Out In

Is Time Attendance Door Yes No

AR727H Only Door Time (100-6000 or 0) ms

On Beeper Yes No

On Red LED Yes No

On Green LED Yes No

Reader On AR732M

Channel One

Channel Two

Communication Port

COM1 COM2 COM3 COM4 COM5 TCP/IP

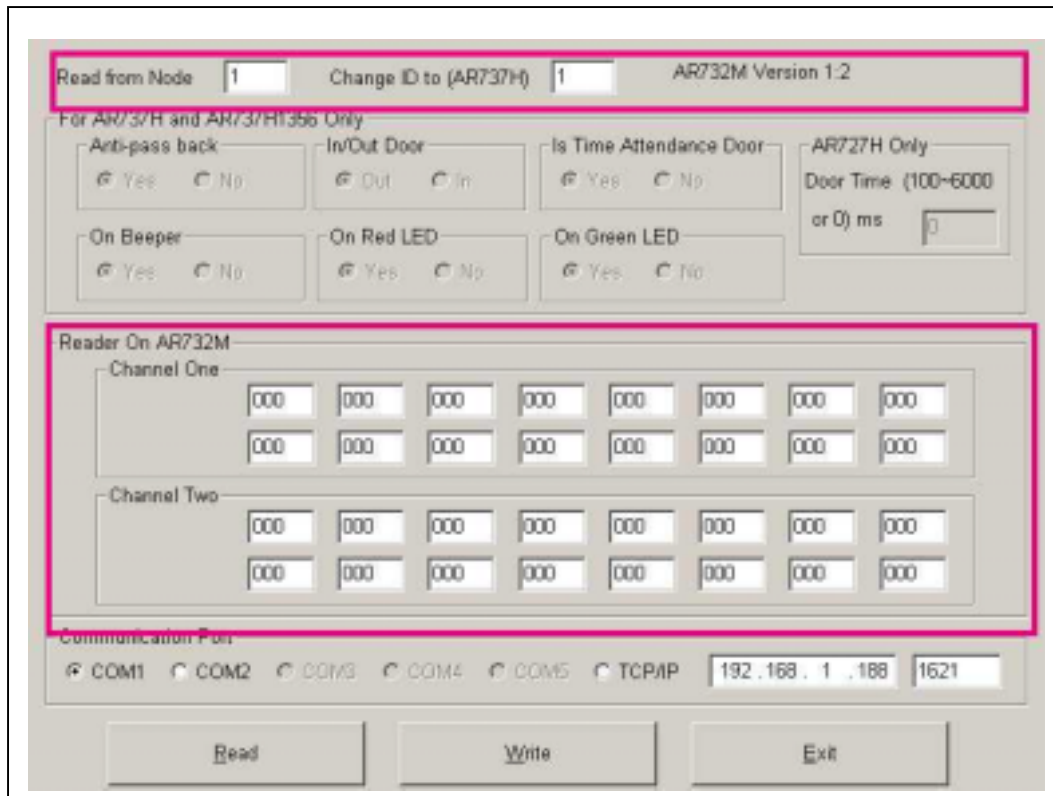
Step3: Enter the Node ID of the AR-732M in “**Read From Node**”

Step4: Select communication port

Step5: click “**Read**”

Then windows will show information as follows:

- a. AR-732M Version1.2
- b. Channel one and Channel two information



- Step4: Enter the Node ID of the controlled AR-716E in the columns of
"Channel One" or "Channel Two" depending on the wiring.
- Step5: Click "Write" to finish setting

