

Feature

- AR-1205UA/UP s the electric bolt lock with slim design for easily mounted at every location.
- Support to auto-locking timer setting: 0, 3, 6, 9 sec. for door locking time delay self-regulating by 2-pin dip-switch.
- Built-in exit switch input to unlock.

Installation

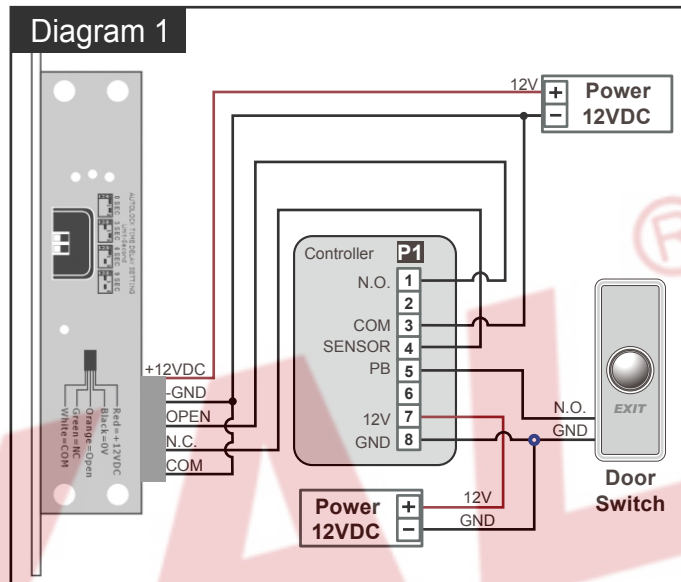
1. Installer should check the contents of lock first and follow the steps of instruction manual.
2. Installer should mind the induction distance between lock body and striker plate should NOT over 8mm; otherwise, the bolt might not drop properly.
3. Refer to "Diagram 1" for the wiring.
4. Refer to "Diagram 2" for the auto-locking timer setting.

5. Wires

NO.	1	2	3	4	5
Color	Red	Black	Orange	Green	White
Description	12VDC	0V	PB	N.O.	COM
	Power		Exit Switch	Door Status	

Specification

- Fail Safe : Lock when energized
- Voltage: DC12V (Optional: DC24V)
- Current Draw: 880mA (Pull in) / 130mA (Holding)
- Solid Bolt: polishing housing, 1,000kg holding force
- Signal Output: Door Status Output, N.O./COM
- Operating temp: -10°C ~ +55°C
- Face place material :Stainless Steel
- Face Plate: 150Lx39WX37H(mm)
- Bolt: 17mmDIA, stainless steel 13mm throw
- Weight: 1.35kg



Contents

Screws

4x10 

2x25 

8x15 

 Hex Security Torx Wrenches

2 x Metal pressure plate
2 x EVA sticker

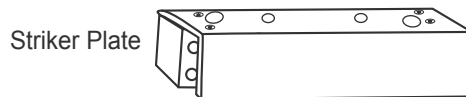


Diagram 2

